

ARTICULO: 2034S

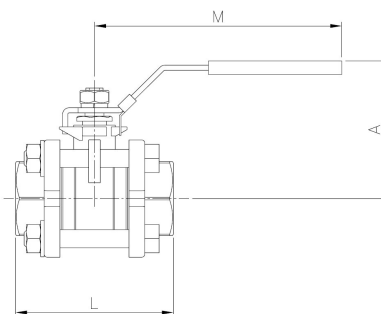
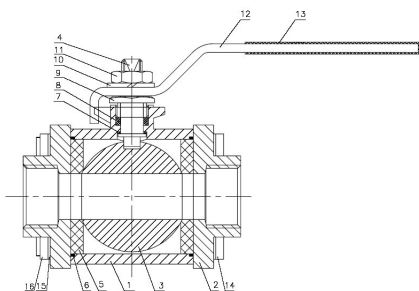
Válvula de esfera paso total 3 piezas Ac. Carbono WCB. Carbon Steel WCB full port ball valve, 3 piece.

Características

1. Válvula esfera paso total 3 piezas
2. Extremos para soldar Socket Weld ANSI B 16.11.
3. Construcción en Acero Carbono WCB (Microfusión).
4. Asientos PTFE + 15 % Fibra de Vidrio.
5. Juntas del eje y juntas del cuerpo en PTFE.
6. Sistema de bloqueo.
7. Eje inexpulsable.
8. Presión de trabajo máxima 1000 WOG.
9. Temperatura de trabajo -25 °C + 180 °C.

Features

1. Full port ball valve, 3 piece.
2. Socket Weld ends according to ANSI B 16.11.
3. Made of Carbon Steel WCB.
4. Ball seats PTFE + 15 % G.F.
5. Stem gasket and Body seal made of PTFE.
6. Locking system.
7. Blow-out proof stem.
8. Max.. Working pressure 1000 WOG.
9. Working Temperature -25 °C + 180 °C.



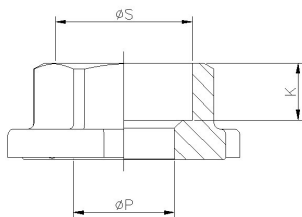
| Nº | Denominación / Name | Material | Acabado Superficial / Surface Treatment | Ref. |
|----|----------------------------------|----------------------------------|---|-------|
| 1 | Cuerpo / Body | Acero Carbono WCB / Carbon Steel | Fosfatizado / Phosphatized | ----- |
| 2 | Tapa / Cap | Acero Carbono WCB / Carbon Steel | Fosfatizado / Phosphatized | ----- |
| 3 | Bola / Ball | Acero Inox AISI 316 / SS 316 | ----- | ----- |
| 4 | Eje / Stem | Acero Inox AISI 316 / SS 316 | ----- | ----- |
| 5* | Asiento / Seat ball | Teflón + 15% FV / PTFE + 15% GF. | ----- | 2838 |
| 6* | Junta / Gasket | PTFE | ----- | 2838 |
| 7* | Arandela / Thrust Washer | PTFE | ----- | 2838 |
| 8* | Anillo Prensa / Stem packing | PTFE | ----- | 2838 |
| 9 | Prensa / Gland | Acero Inox AISI 304 / SS 304 | ----- | |
| 10 | Arandela Resorte / Spring Washer | Acero Inox AISI 304 / SS 304 | ----- | |
| 11 | Tuerca / Nut | Acero Inox AISI 304 / SS 304 | ----- | |
| 12 | Maneta / Handle | Acero Inox AISI 304 / SS 304 | ----- | |
| 13 | Funda Maneta / Handle sleeve | Plastic | ----- | |
| 14 | Tornillo / Bolt | Acero Inox AISI 304 / SS 304 | ----- | |
| 15 | Arandela Resorte / Spring Washer | Acero Inox AISI 304 / SS 304 | ----- | |
| 16 | Tuerca / Nut | Acero Inox AISI 304 / SS 304 | ----- | |

* Piezas que componen los Kit de Reparación / *Repair Kit Parts*

DIMENSIONES GENERALES / GENERAL DIMENSIONS

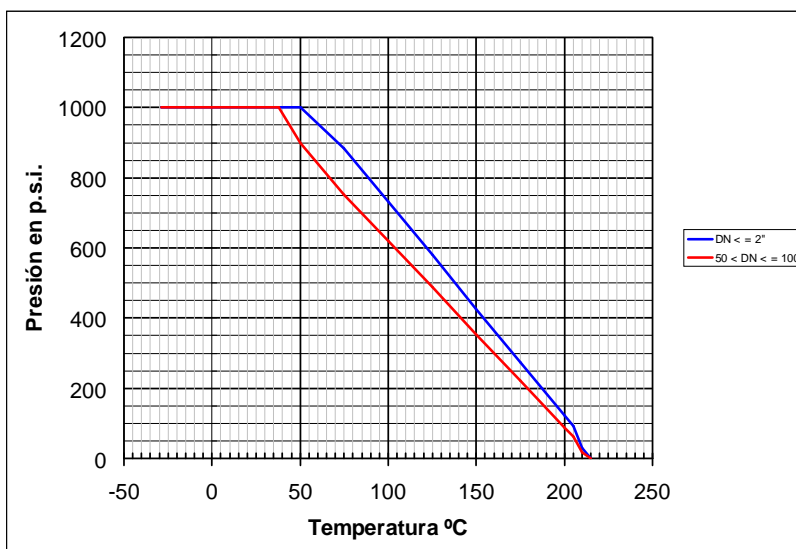
| Ref | Medida / Size | MOP (WOG) | Paso / Bore | Dimensiones / Dimensions (mm) | | | Peso / Weight (Kg) |
|----------|---------------|-----------|-------------|-------------------------------|-----|-----|--------------------|
| | | | | A | L | M | |
| 2034S 02 | 1/4" | 1000 | 11.6 | 48 | 50 | 100 | 0.290 |
| 2034S 03 | 3/8" | 1000 | 11.6 | 48 | 50 | 100 | 0.290 |
| 2034S 04 | 1/2" | 1000 | 15 | 50 | 61 | 103 | 0.390 |
| 2034S 05 | 3/4" | 1000 | 20 | 60 | 70 | 127 | 0.610 |
| 2034S 06 | 1" | 1000 | 25 | 64 | 80 | 127 | 0.860 |
| 2034S 07 | 1 ¼" | 1000 | 32 | 79 | 93 | 154 | 1.370 |
| 2034S 08 | 1 ½" | 1000 | 40 | 85 | 102 | 154 | 2.040 |
| 2034S 09 | 2" | 1000 | 50 | 87 | 124 | 192 | 3.740 |
| 2034S 10 | 2 ½" | 1000 | 65 | 117 | 156 | 244 | 6.440 |
| 2034S 11 | 3" | 1000 | 80 | 125 | 179 | 244 | 10.200 |
| 2034S 12 | 4" | 1000 | 100 | 173 | 218 | 330 | 20.490 |

Extremo para soldar según ANSI B 16.11 / Socket Weld ends According ANSI B 16.11



| Ref | Medida / Size | P | K | Ø S |
|----------|---------------|------|----|-------|
| 2034S 02 | 1/4" | 11,6 | 10 | 14.1 |
| 2034S 03 | 3/8" | 11,6 | 10 | 17.6 |
| 2034S 04 | 1/2" | 15 | 10 | 21.7 |
| 2034S 05 | 3/4" | 20 | 14 | 27.1 |
| 2034S 06 | 1" | 25 | 14 | 33.8 |
| 2034S 07 | 1 ¼" | 32 | 15 | 42.6 |
| 2034S 08 | 1 ½" | 40 | 15 | 48.7 |
| 2034S 09 | 2" | 50 | 19 | 61.1 |
| 2034S 10 | 2 ½" | 65 | 21 | 73.8 |
| 2034S 11 | 3" | 80 | 24 | 89.8 |
| 2034S 12 | 4" | 100 | 35 | 115.5 |

CURVA PRESION TEMPERATURA / PRESSURE TEMPERATURE RATING



VALORES DE Kv / Kv VALUES

Kv = Es la cantidad de metros cúbicos por hora que pasará a través de la válvula generando una pérdida de carga de 1 bar.

Kv = The rate of flow of water in cubic meter per hour that will generate a pressure drop of 1 bar across the valve.

| 1/4" | 3/8" | 1/2" | 3/4" | 1" | 1 1/4" | 1 1/2" | 2" | 2 1/2" | 3" | 4" |
|------|------|------|------|----|--------|--------|-----|--------|------|------|
| 6 | 10 | 24 | 43 | 83 | 130 | 205 | 340 | 520 | 1100 | 1820 |

