

## ARTICULO: 2220N

### Válvula de compuerta extremos roscados

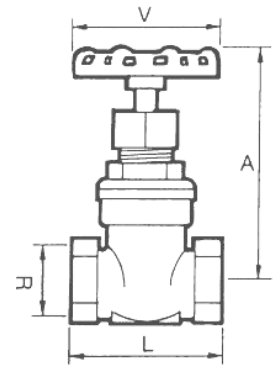
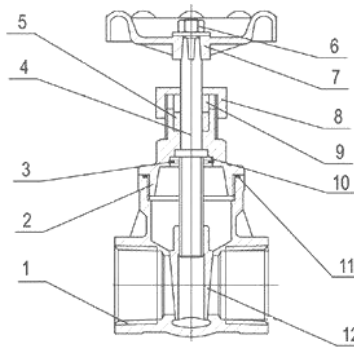
### Threaded ends Gate valve

#### Características

1. Válvula de compuerta.
2. Construcción en acero inoxidable CF8M.
3. Disco compacto en CF8M.
4. Vástago no ascendente.
5. Extremos roscados NPT ANSI B 2.1.
6. Estopada de eje en PTFE.
7. Presión máxima de trabajo 16 bar.
8. Temperatura de trabajo: -30°C / 180 °C.

#### Features

1. Gate valve.
2. Made of Stainless Steel CF8M.
3. Compact disc made by CF8M.
4. Non-rising stem.
5. Threaded ends NPT ANSI B 2.1.
6. Stem Packing PTFE.
7. Max. Working pressure 16 bar.
8. Working temperature -30°C / 180 °C.



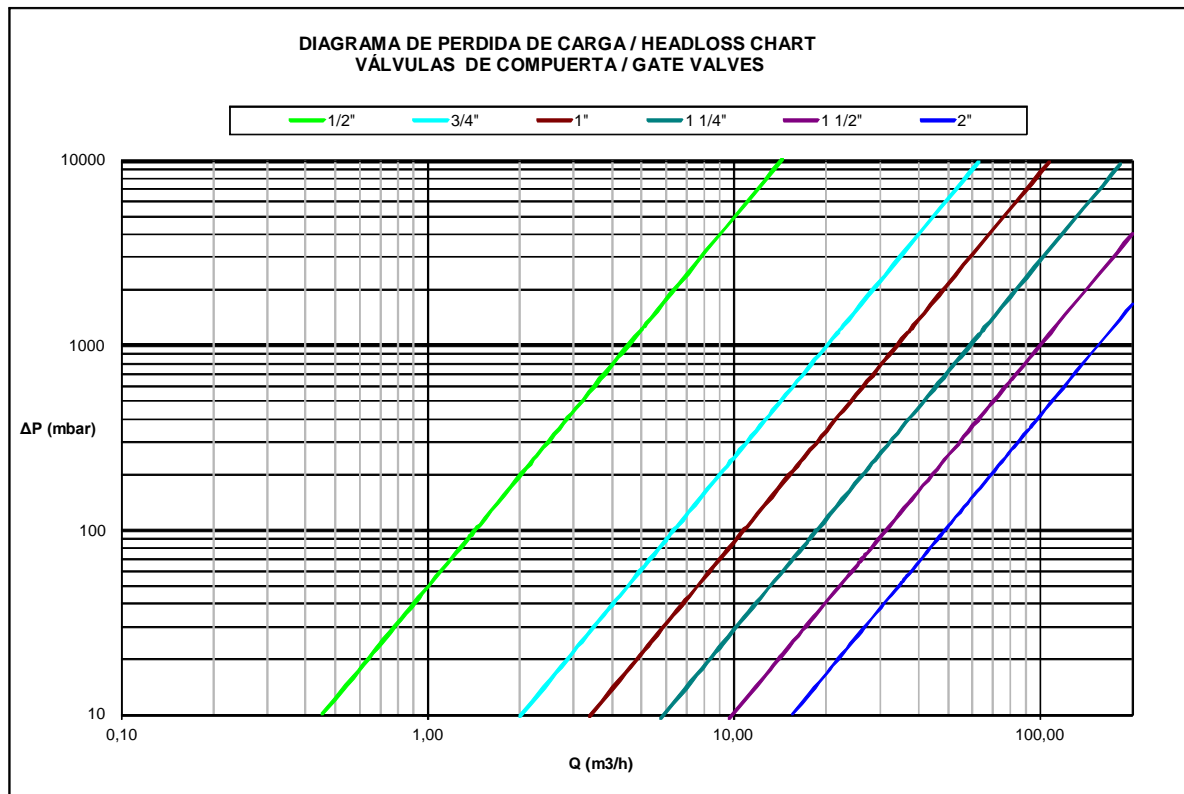
| Nº | Denominación / Name                | Material                        | Acabado Superficial / Surface Treatment |
|----|------------------------------------|---------------------------------|---|
| 1  | Cuerpo / Body                      | Acero Inox. CF8M / S.S. CF8M    | Granallado / Shot blasting              |
| 2  | Tapa / Bonnet                      | Acero Inox. CF8M / S.S. CF8M    | Granallado / Shot blasting              |
| 3  | Arandela / Washer                  | Acero Inox. 304 / S.S. 304      | -----                                   |
| 4  | Eje / Stem                         | Acero Inoxidable 316 / S.S. 316 | -----                                   |
| 5  | Estopada / Stem packing            | PTFE                            | -----                                   |
| 6  | Tuerca / Nut                       | Acero Inoxidable 304 / S.S. 304 | -----                                   |
| 7  | Volante / Handwheel                | Aluminio / Aluminium            | Pintado / Painted                       |
| 8  | Tuerca prensaestopas / Packing nut | Acero Inoxidable 316 / S.S. 316 | -----                                   |
| 9  | Prensa estopa / Stem Packing       | Acero Inoxidable 316 / S.S. 316 | -----                                   |
| 10 | Traba Tuerca / Lock Nut            | Acero Inox. 316 / S.S. 316      | -----                                   |
| 11 | Junta Cuerpo / Body Gasket         | PTFE                            | -----                                   |
| 12 | Compuerta / Wedge                  | Acero Inox. CF8M / S.S. CF8M    | Granallado / Shot blasting              |

## DIMENSIONES GENERALES / GENERAL DIMENSIONS

| Ref      | Medida / Size | PN | Dimensiones / Dimensions (mm) |     |    |     | Peso / Weight (Kg) |
|----------|---------------|----|-------------------------------|-----|----|-----|--------------------|
|          |               |    | R                             | A   | L  | V   |                    |
| 2220N 04 | 1/2"          | 16 | 1/2"                          | 100 | 55 | 70  | 0.414              |
| 2220N 05 | 3/4"          | 16 | 3/4"                          | 110 | 61 | 70  | 0.578              |
| 2220N 06 | 1"            | 16 | 1"                            | 115 | 68 | 70  | 0.740              |
| 2220N 07 | 1 1/4"        | 16 | 1 1/4"                        | 130 | 77 | 80  | 0.995              |
| 2220N 08 | 1 1/2"        | 16 | 1 1/2"                        | 150 | 80 | 100 | 1.550              |
| 2220N 09 | 2"            | 16 | 2"                            | 167 | 93 | 100 | 2.150              |

## DIAGRAMA DE PERDIDAS DE CARGA / HEAD LOSSES DIAGRAM

(H<sub>2</sub>O / 20 °C Flujo Horizontal / Horizontal flow).



## VALORES DE Kv / Kv VALUES

Kv = Es la cantidad de metros cúbicos por hora (m<sup>3</sup>/h) que pasará a través de la válvula generando una pérdida de carga de 1 bar.

*Kv = Flow rate of water in cubic meter per hour (m<sup>3</sup>/h) that will generate a pressure drop of 1 bar across the valve.*

| Med. /Size        | 1/2" | 3/4" | 1" | 1 ¼" | 1 ½" | 2"  |
|-------------------|------|------|----|------|------|-----|
| m <sup>3</sup> /h | 4,5  | 20   | 34 | 60   | 102  | 161 |

## CURVA PRESION TEMPERATURA / PRESSURE TEMPERATURE RATING

