

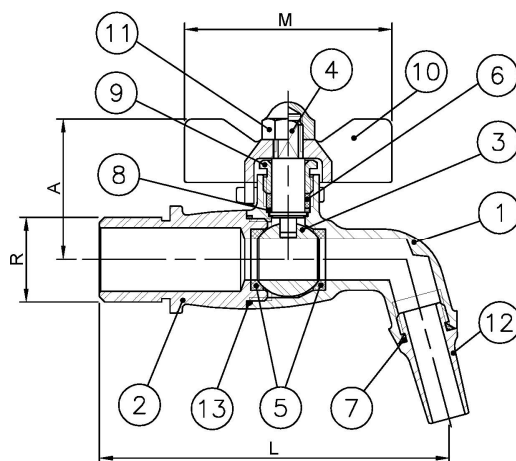
Art.: 2918 Válvula de esfera inoxidable para barril Stainless steel barrel ball valve

Características

1. Válvula esfera con paso reducido.
2. Construcción en acero inoxidable AISI 316.
3. Entrada rosca gas (BSP) macho s/ ISO 228/1.
4. Accionamiento mediante palomilla de acero inox.
5. Acabado pulido y cromado.
6. Presión máxima de trabajo 16 bar (PN-16).
7. Temperatura de trabajo desde 0°C hasta 100°C.
8. Asientos en PTFE.

Features

1. Ball valve with reduced bore.
2. Stainless steel AISI 316 construction.
3. Gas (BSP) end male acc/ ISO 228/1.
4. Working by means of s.steel butterfly handle.
5. Polished and chrome plated finishing.
6. Maximum working pressure 16 bar (PN-16).
7. Working temperature from 0°C to 100°C.
8. PTFE seats.



| Nº | Denominación / Name | Material | Acabado Sup. / Surface Treatment |
|----|------------------------------|-------------------------------|-------------------------------------|
| 1 | Cuerpo / Body | Acero Inox. AISI 316 / SS 316 | Pulido exterior / External polished |
| 2 | Tapa / Cap | Acero Inox. AISI 316 / SS 316 | Pulido exterior / External polished |
| 3 | Esfera / Ball | Acero Inox. AISI 316 / SS 316 | - |
| 4 | Eje / Stem | Acero Inox. AISI 316 / SS 316 | - |
| 5 | Asientos / Ball seats | PTFE | - |
| 6 | Empaquetadura / Stem packing | PTFE | - |
| 7 | Junta tórica / O-Ring | NBR | - |
| 8 | Anillo prensa / Stem ring | Acero Inox. AISI 316 / SS 316 | - |
| 9 | Tuerca prensa / Packing nut | Acero Inox. AISI 316 / SS 316 | - |
| 10 | Maneta / T-Handle | Acero Inox. AISI 316 / SS 316 | Pulido exterior / External polished |
| 11 | Tuerca / Nut | Acero Inox. AISI 316 / SS 316 | Pulido exterior / External polished |
| 12 | Boquilla / Nozzle | Acero Inox. AISI 316 / SS 316 | Pulido exterior / External polished |
| 13 | Junta / Gasket | PTFE | - |

| Ref. | Medida / Size R | Dimensiones / Dimensions (mm) | | | Peso / Weight (g) |
|---------|--------------------|-------------------------------|-----|----|-------------------|
| | | A | L | M | |
| 2918 03 | 3/8" | 34 | 85 | 50 | 185 |
| 2918 04 | 1/2" | 34 | 85 | 50 | 174 |
| 2918 05 | 3/4" | 43 | 106 | 63 | 331 |