

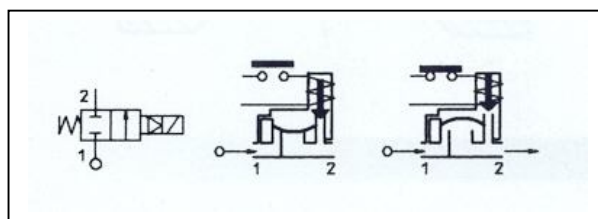
Art. 4632 Electroválvula 2/2 vías N.C. acción Indirecta Art. 4632 2/2 ways N.C. with pilot control Solenoid Valve

| Características | |
|---|--|
| E.V. con acción indirecta adaptada para la interceptación de los fluidos compatibles con los materiales en que están construidas. | |
| Es necesaria una presión mínima de 0,1 bar para su funcionamiento. | |
| APLICACIONES | |
| <ul style="list-style-type: none"> ○ Automatización ○ Calefacción | |
| RACORES | |
| <ul style="list-style-type: none"> ○ G1/2" – G1" | |
| BOBINAS | |
| <ul style="list-style-type: none"> ○ 8W - Ø 13 | |

| Features | |
|--|--|
| S.V. with pilot control for interception of fluids compatible with the construction materials. | |
| A minimum operational pressure of 0,1 bar is required. | |
| USE: | |
| <ul style="list-style-type: none"> ○ Automation, ○ Heating | |
| PIPES: | |
| <ul style="list-style-type: none"> ○ G 1/2" - G 1" | |
| COILS: | |
| <ul style="list-style-type: none"> ○ 8W - Ø 13 | |

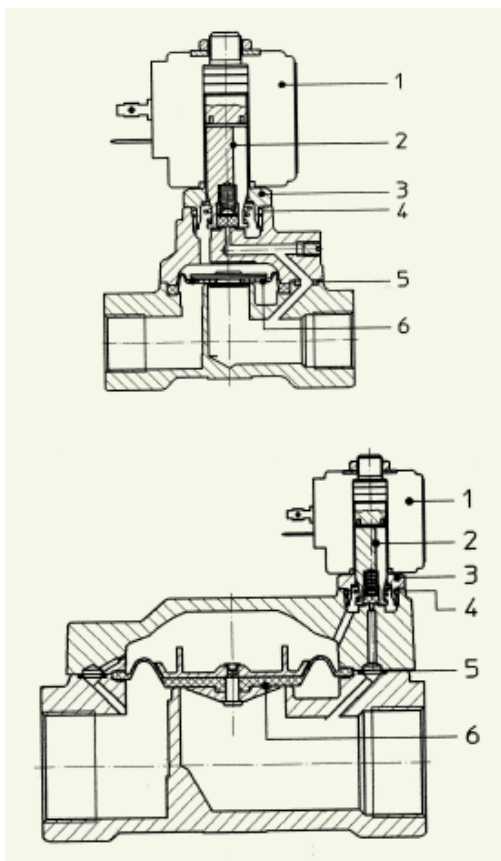


| Juntas-Gaskets | Temperaturas-Temperature | | Fluidos-Medium |
|---------------------------------|--------------------------|----------|---|
| V = FKM (elastómerofluorado) | - 10° C | + 140° C | Agua desmineralizada, productos químicos, compatibles con aceros inoxidables, Deminerlized water, chemical products compatible with stainless steel |



| Racord-Pipe ISO 228/1 | Código-Code | Viscosidad máx. admisible Max viscosity | | Ø | Kv | Potencia-Power (watt) | Presiones-Pressure | | | | |
|-----------------------|-------------|---|-----|----|-----|-----------------------|--------------------|-------|---------|--------------|--------|
| | | cSt | °E | | | | mm | L/min | mín bar | máx M.O.P.D. | |
| | | | | | | | | | | AC bar | DC bar |
| G 3/8" | 4632 03 | 12 | ~ 2 | 12 | 35 | 8 | 0,1 | 20 | 20 | | |
| G 1/2" | 4632 04 | | | 19 | 130 | | | | | | |
| G 3/4" | 4632 05 | | | 25 | 160 | | | 16 | 16 | | |
| G 1" | 4632 06 | | | | | | | | | | |

| BAJO PEDIDO – ON REQUEST | | |
|------------------------------|------------------------------|---|
| Conector | Conector | 4801 08- PARA BOBINA DE 8W |
| Conformidad conector | Conector conformity | ISO 4400 |
| CARACTERISTICAS-FEATURES | | |
| Conformidad eléctrica | Electrical conformity | IEC 335 |
| Grado de protección | Protection degree | IP 65 EN 60529 (DIN 40050) Con la bobina provista de conector - With coil fitted by connector |



| MATERIALES-MATERIALS | | | | | |
|----------------------|--------------------------|--------------------------------|---------------------|-----------------|----------------|
| Nº | Denominación /Name | | Material-Material | | |
| 1 | Cuerpo | Body | Acero Inox | Stainless steel | AISI serie 316 |
| 2 | Tubo Guía | Welded armature tube | Acero Inox | Stainless steel | AISI serie 300 |
| 3 | Núcleo fijo | Fixed core | Acero Inox | Stainless steel | AISI serie 400 |
| 4 | Núcleo móvil | Plunger | Acero Inox | Stainless steel | AISI serie 400 |
| 5 | Anillo de desfase | Phase displacement ring | Cobre | Copper | |
| 6 | Muelle | Spring | Acero Inox | Stainless steel | AISI serie 300 |
| 7 | Obturador | Seal | Bajo pedido V = FKM | | |
| 8 | Orificio | Orifice | Acero Inox | Stainless steel | AISI serie 316 |

| ELEMENTOS DE RECAMBIO – SPARE PART | | | |
|------------------------------------|------------------------------|-------------------------------|-----------------------------------|
| 1 | Bobina | Coil | 4808 (8W. INDICAR TENSION) |
| 2 | Conjunto núcleo móvil | Complete plunger | E020 V |
| 3 | Conjunto tubo guía | Complete armature tube | E025 |
| 4 | Membrana | | Diaphragm |
| | | 3/8" – 1/2" | E052 V |
| | | 3/4" – 1" | E053 V |

| Tipo- Type | Racord- Pipe ISO 228/1 | A | B | C |
|---------------|------------------------------|----|-----|-----|
| | | mm | mm | mm |
| 4632 04 | G 1/2" | 40 | 103 | 72 |
| 4632 05 | G 3/4" | 65 | 115 | 104 |
| 4632 06 | G 1" | | | |

| POTENCIA BOBINA – COIL POWER ABSORPTION | | |
|--|--------------------------------|-----------------------|
| W = | En el arranque- Inrush VA ~ | Trabajo- Hold VA ~ |
| 8 W | 25 | 14,5 |

