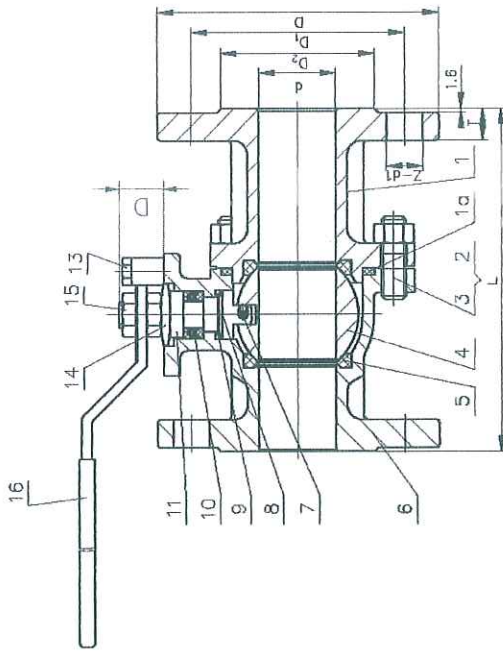
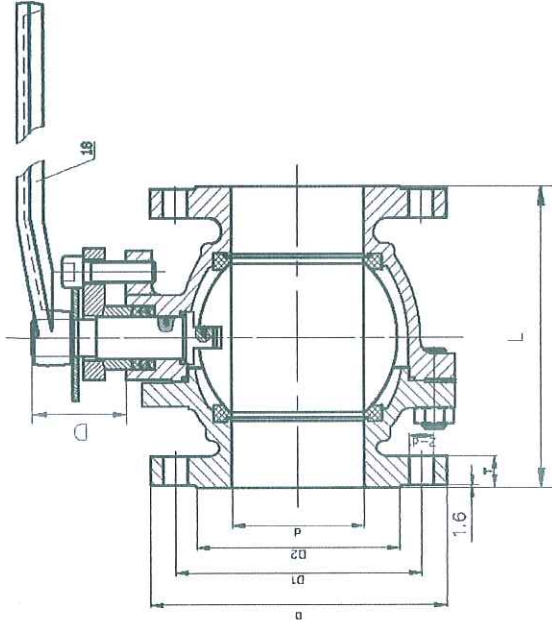


A0.5-4" Q41F-150LBP



1/2" - 2.5"



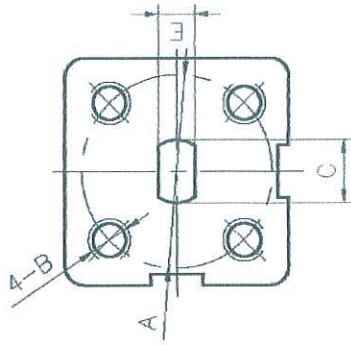
3" - 8"

MATERIAL LIST

NO	NAME	MATERIAL
1	CAP	A351 CF8
1a	GASKET	PTFE
2	STUDS	A193-B8
3	NUTS	A194-8
4	BALL	A182 F304
5	SEAT	PTFE
6	BODY	A351 CF8
7	ANTI-STATIC	SS304
8	STEM	A276 304
9	THRUST WASHER	PTFE
10	PACKING	PTFE
11	GLAND	A276 304
13	BOLTS	A193-B8
14	BIVALLE WASHER	SS301
15	NUTS	A194-8
16	HANDLE	SS+PVC
18	HANDLE	A216 WCB

150LB DIMENSION LIST

Size	d	L	D ₂	D ₁	D	T	Z-d1	A	B	C	E	D
1/2"	15	108	35	60.5	89	11.5	4-Ø16	Ø42	M5	Ø10	6	19.5
3/4"	20	117	43	70	98	13	4-Ø16	Ø42	M5	Ø12	7	20.5
1"	25	127	51	79.5	108	14.3	4-Ø16	Ø50	M6	Ø12	7	20.5
1-1/2"	38	165	73	98.5	127	15	4-Ø16	Ø70	M8	Ø16	10	27
2"	50	178	92	120.5	152	19.1	4-Ø19	Ø70	M8	Ø16	10	27.5
2-1/2"	65	190	105	139.5	178	22	4-Ø19	Ø70	M8	Ø24	16	34
3"	76	203	127	152.5	190	24	4-Ø19	Ø70	M8	Ø27	17	60
4"	102	229	157	190.5	229	24	8-Ø19	Ø70	M8	Ø27	17	58



NOTES:

1. Flange Standard: ANSI B16.5;
2. Face to Face: ANSI B 16.10;
3. DESIGNED BY ASME B16.34.
4. TESTED AND CHECKED BY API 598.
5. ISO6211 PAD IS NOT DIRECTLY.

2PC BALL VALVE

ASSEMBLY

A0.5-4" Q41F-150LBP

设计/审核/批准				
日期				
图号				
物料号				
零件号				
数量				
日期				