



# Bronze Gate Valve

ISO 9001 FM584850

2017.1

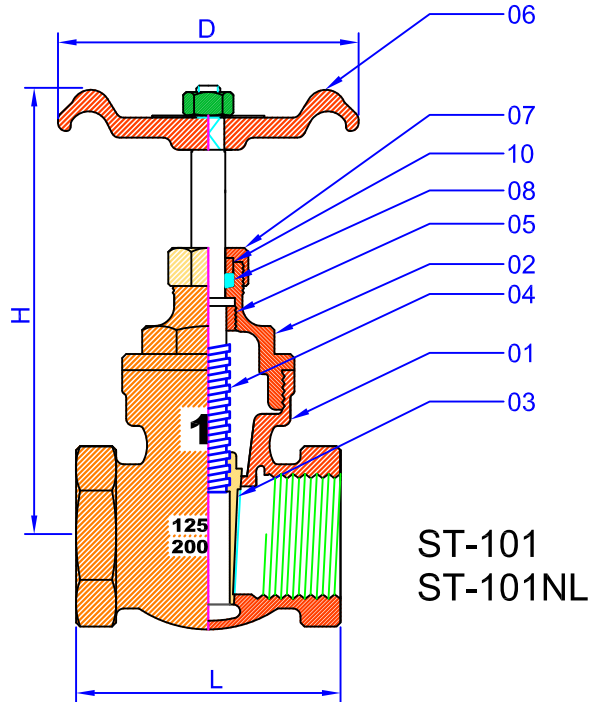
## Feature

1. non rising stem
2. screwed in bonnet
3. 125psi saturated steam to 185 °C or 365 °F
4. working pressure 200 psi

Connect ends comply to  
 B.1.20.1 (NPT)  
 BS21.0 (BSPT)  
 ISO-7 (Rc, Rp)

Working Pressure non Shock (unit : psi)	
Saturated Steam	cold Water, Oil, Gas
125	200
Test Pressure (unit : psi)	
Shell (Water)	Seat (Air)
300	80

100 psi = 7Kg (7bar) = 0.7Mpa



## DIMENSION

unit : mm

SIZE	1/4"	3/8"	1/2"	3/4"	1"	1.1/4"	1.1/2"	2"	2.1/2"	3"	4"
H		85	85	94	105	125	140	155	200	220	270
L		42	42	50	54	60	65	72	88	96	115
D		54	54	61	61	76	76	83	105	112	132

N	Nut	Steel	Steel	1
P	Nameplate	Aluminum	Aluminum	1
10	Packing Ring	Brass C3604	Brass C3604	1
8	Packing	Teflon	Teflon	1
7	Packing Gland	Brass C3604	Brass C3604	1
6	Handlewheel	Aluminum	Aluminum	1
5	Stem ring	ASTM C36000	ASTM C6802	1
4	Stem	ASTM C36000	ASTM C6802	1
3	Disc	ASTM C84400	ASTM C89844	1
2	Bonnet	ASTM C84400	ASTM C89844	1
1	Body	ASTM C84400	ASTM C89844	1
No.	Parts	BRONZE	NL <del>Pb</del>	Q'ty

Body Marking		
	"inch" SIZE	
	125S	
	200WOG	

Body Marking		
	"inch" SIZE	
	125S	
	200WOG	
	LF	

Note. ASTM B62 C83600 is available  
 Note. DZR (AS352) stem is available  
 Note. Aluminum handle wheel is available