



Bronze Check Valve

ISO 9001 FM584850

2017.1

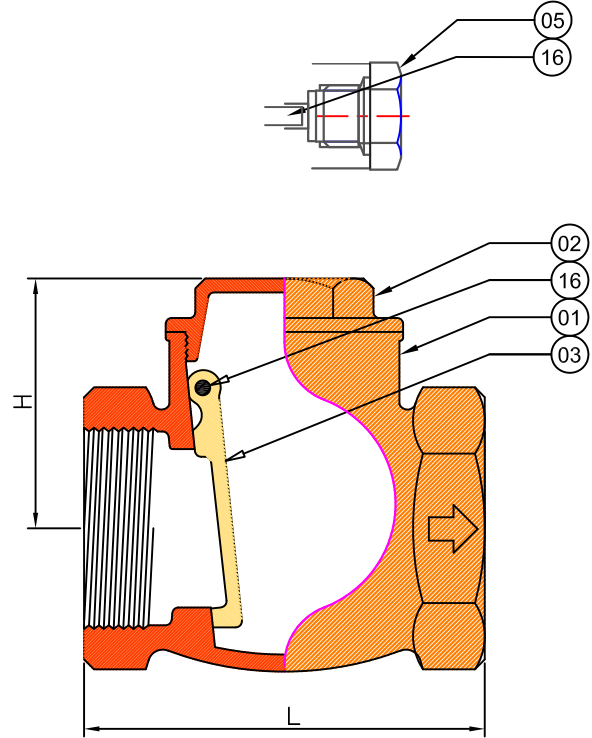
Feature

1. Horizontal swing type.
2. SS 304 Hinge Pin for 2 1/2"--4"

Connect ends comply to
 B.1.20.1 (NPT)
 BS21.0 (BSPT)
 ISO-7 (Rc, Rp)

Working Pressure non Shock (unit : psi)	
Saturated Steam	cold Water, Oil, Gas
150	300
Test Pressure (unit : psi)	
Shell (Hydro)	Seat (Hydro)
450	330

100 psi = 7Kg (7bar) = 0.7Mpa



ST-401
 ST-401NL

DIMENSION

unit : mm

SIZE	1/4"	3/8"	1/2"	3/4"	1"	1.1/4"	1.1/2"	2"	2.1/2"	3"	4"
H		39	39	43	48	58	61	68	86	97	113
L		55	55	63	73	81	92	108	137	148	180

Note. ASTM B62 C83600 is available

Note. DZR (AS352) parts is available

16	Hinge Pin	Brass C3604	Brass C6802	1
5	Plug	Brass C3604	Brass C3604	1
3	Disc	ASTM C84400	ASTM C89844	1
2	Cap	ASTM C84400	ASTM C89844	1
1	Body	ASTM C84400	ASTM C89844	1
No.	Parts	BRONZE	NL Pb	Q'ty

