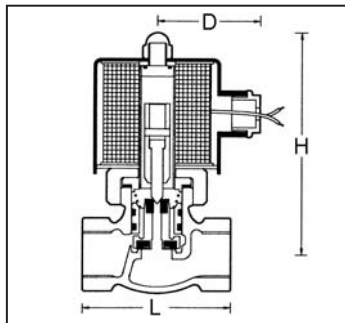


US Series. US-F Series

US Series



1. US series is multiplex-drive, piston guide ,conductive normal close.
2. Valve body made of cast bronze.
3. Standard voltage: 110VAC / 220VAC / 24VDC
4. Other special AC/DC can be made to client's order.
5. Screwed end: BSPT , NPT , BSP.
6. The standard product fluid temperature is 185°C(PTFE).
8. In special case ,US can made 20 kgf/ cm², 30kgf/cm² 40 kgf/cm² Please state the type of fluid with your order.
9. AC Voltage tolerance: $\pm 10\%$.
DC Voltage tolerance: $\pm 1\%$.

MATERAIL	
PARTS	MATERAIL
Body	Cast Bronze
Coil	Special Copper Wire (H)
Core Needle	Stainless Steel
Tube	Stainless Steel
Spring	Stainless Steel
Plug	PTFE + 15%GF
Bonne/Nut	PTFE
Piston	Brass

DIN	MODEL	PIPE SIZE	Cv	ORIFICE	FLUID TEMP °C	MAX. OPERATING PRESSURE DIFF. KGf/CM ²				DIMENSION(mm)			WEIGHT (kg)
						WATER	AIR	STEAM	HEAVY OIL	L	H	D	
	US-15	1/2"	4.0	17 mm	-5C ~ 185C	0.5-15	0.5-15	0.5-10	0.5-10	82	120	58	1.7
	US-20	3/4"	6.0	17 mm	-5C ~ 185C	0.5-15	0.5-15	0.5-10	0.5-10	82	123	58	1.7
	US-25	1"	12	22 mm	-5C ~ 185C	0.5-15	0.5-15	0.5-10	0.5-10	91	130	58	2.0
	US-35	1 1/4"	18	30 mm	-5C ~ 185C	1-10	1-15	1-10	1-10	110	141	58	3.1
	US-40	1 1/2"	22	30 mm	-5C ~ 185C	1-10	1-15	1-10	1-10	110	144	58	3.3
	US-50	2"	48	50 mm	-5C ~ 185C	1-10	1-15	1-10	1-10	163	173	58	7.2