



# AYVAZ

## Float Steam Trap with Steam Lock Release Size 1/2" - 3/4" - 1" Screwed BSP./Flanged



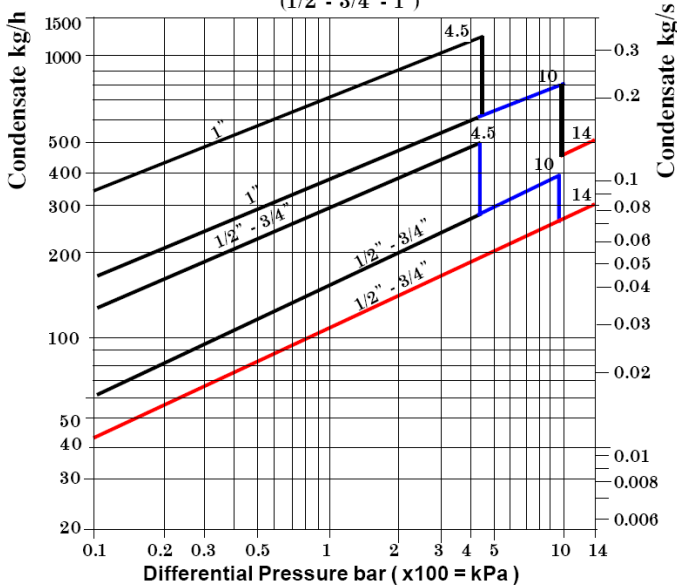
### Typical Applications

Heat Exchangers / Heating Batteries / Tanks  
Pans / Drying Cylinders / Ovens

### Installation

Cover part can be arranged according to horizontal or vertical installation type.

### Discharge Capacities (1/2" - 3/4" - 1")



**Red Chart** 14 bar diff.press. **Blue Chart** 10 bar diff.press.  
**Black Chart** 4.5 bar diff. press.

### SK 51 FLOAT STEAM TRAP With steam lock release

#### Main Features

A Float through a simple lever mechanism opens or closes the valve according to the condensate level inside the trap. The opening is proportional with condensate rate. It is unaffected by instantaneous pressure changings. These types of steam traps specially used where prompt and continuous discharge of condensate is necessary. For such cases float traps are the ideal traps as well automatically control systems to prove adequate heat transfer.

#### OPERATING CONDITIONS

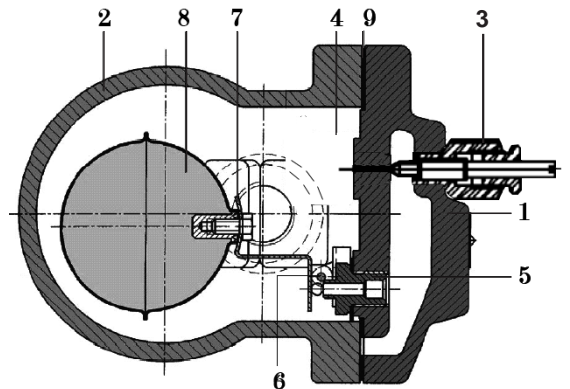
	Cast Iron Body	Cast Steel Body
Max.Allowable Pressure PMA(bar)	25	40
Max.Allowable Temperature TMA ( °C )	300	400
Max.Operating Pressure PMO (bar)	16	32
Max.Differential Pressure PMD (bar)	4.5-10-14	4.5-10-14
Max.Operating Temperature TMO ( °C )	250	400

#### WEIGHTS

Connections	Flanged	Screwed	Socket weld
Sizes (mm)	15-20-25	1/2-3/4-1"	1/2-3/4-1"
Weights (kgs)	4.05-4.8-7.1	3.2-3.2-4.7	3.2-3.2-4.7

#### CONNECTIONS

		SIZES	
Screwed	NPT acc. to ANSI B120.1	inches	1/2"- 3/4"- 1"
	BSP acc.to BS 21		
Flanged	DIN 2533	mm	15 - 20 - 25



#### Materials

1 Body	* GGG 40.3
2 Cover	* GGG 40.3
3 Needle Valve	* Stainless Steel
4 Air Vent Seat	* Stainless Steel AISI 304
5 Float Seat	* Stainless Steel AISI 304
6 Main Valve ( ball )	* Stainless Steel
7 Float Lever	* Stainless Steel AISI 304
8 Float	* Stainless Steel AISI 304
9 Gasket	Klingcrit Asbestos Free

\* Available spare parts

#### DIMENSIONS

Size	A	K	B	C	D
15	150	150	108	68	122
20	150	150	108	68	122
25	160	167	108	107	145

