

BRONZE SAFETY RELIEF VALVES (Lift = D/25)

S10L

Bronze Safety Valve
with Lever

1/2" - 2"

S10

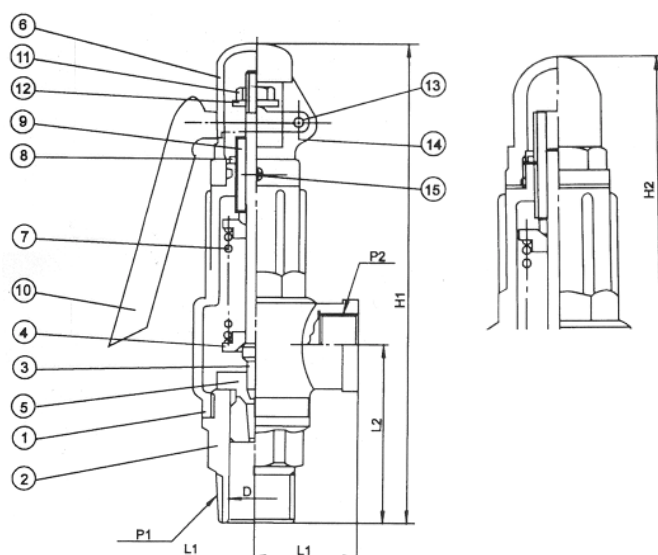
Bronze Safety Valve
with Sealing Cap

1/2" - 2"



S10L

S10



General material

Valve Body	ASTM-B584-C83600
Valve Seat	ASTM-B124-C37700
Spindle	ASTM-B16-C36000
Spring Seat	ASTM-B16-C36000
Disc	ASTM-B124-C37700
Spring	Steel or Stainless Steel
Cap	ASTM-B584-C83600 or ASTM-B124-C37700

Working Pressure : 0.3 – 10 kg/cm² (Steam)
0.3 – 10 kg/cm² (W.O.G.)

Working Temp. : - 45°C – 185°C

Working Fluid (S10): Non Corrosive Gas
Steam
Hot Water
Non Corrosive Liquid

Working Fluid (S10L): Non Corrosive Gas
Steam

Dimension.

Size	P1 (Inlet)	D (Seat dia.)	P2 Outlet	Lift	L1	L2	H1	H2	Weight(kg)	
									S10	S10L
1/2"	RC(1/2)	13	G(1/2)	0.52	32	52	162	140	0.51	0.58
→ 3/4"	RC(3/4)	19	G(3/4)	0.76	36	58	172	150	0.63	0.73
1"	RC(1)	25	G(1)	1.00	40	71	204	185	1.14	1.29
1-1/4"	RC(1-1/4)	32	G(1-1/4)	1.28	52	83	223	208	2.03	2.03
1-1/2"	RC(1-1/2)	38	G(1-1/2)	1.52	58	96	252	236	2.6	2.61
2"	RC(2)	50	G(2)	2.00	65	103	287	265	3.84	4.1

Distributed by: **EPMC Co., Ltd.**

Boonyium & Associates Bldg., 1314-1322 Srinakarin Rd. Suanluang, Bangkok 10250.

Tel. 322-1678 – 87, 322-4330 – 3 Fax. 720-5155, 322-4328 - 9